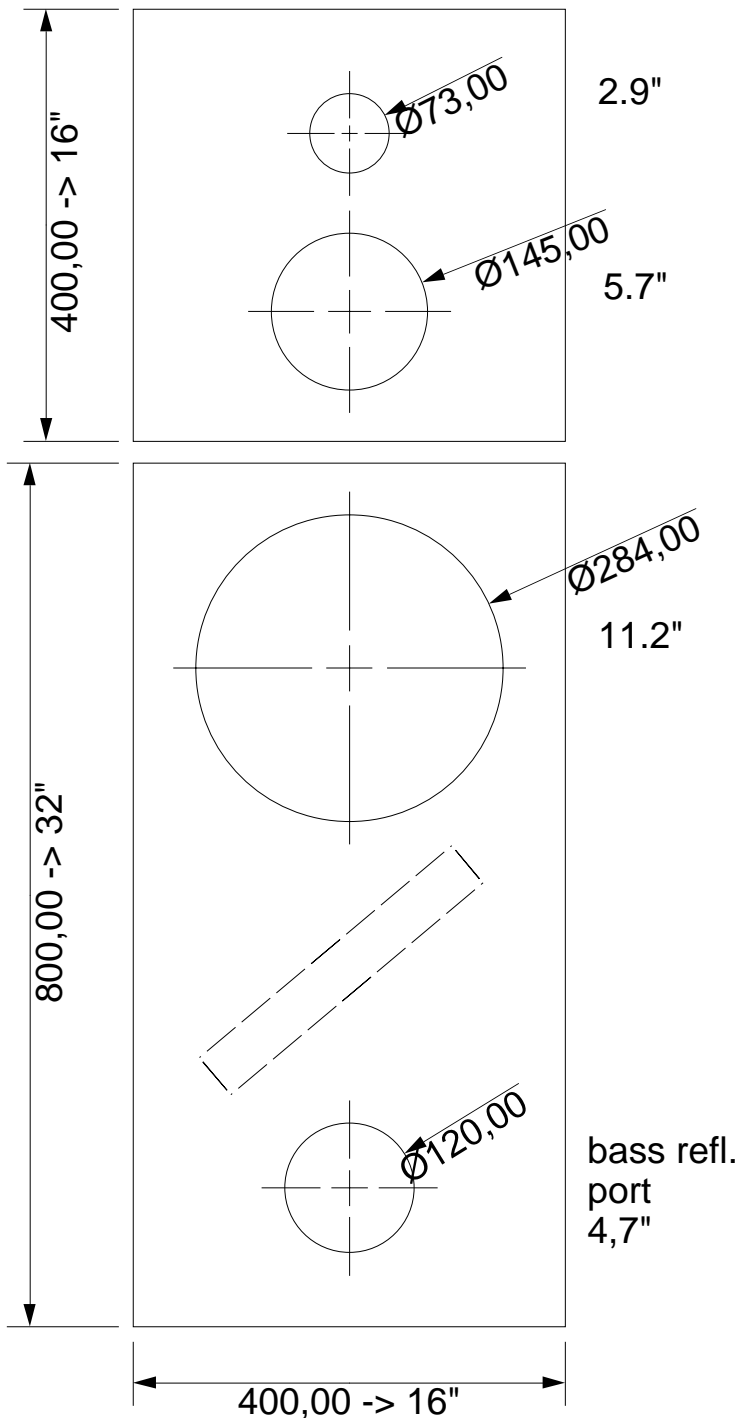


Drawing for Altmann BYOB speaker 80x40 cm.  
 You need 11 pc. 80x40 cm (31.5" x 15.75") panels (preferably spruce / pine-wood) for a stereo pair incl. open baffles.

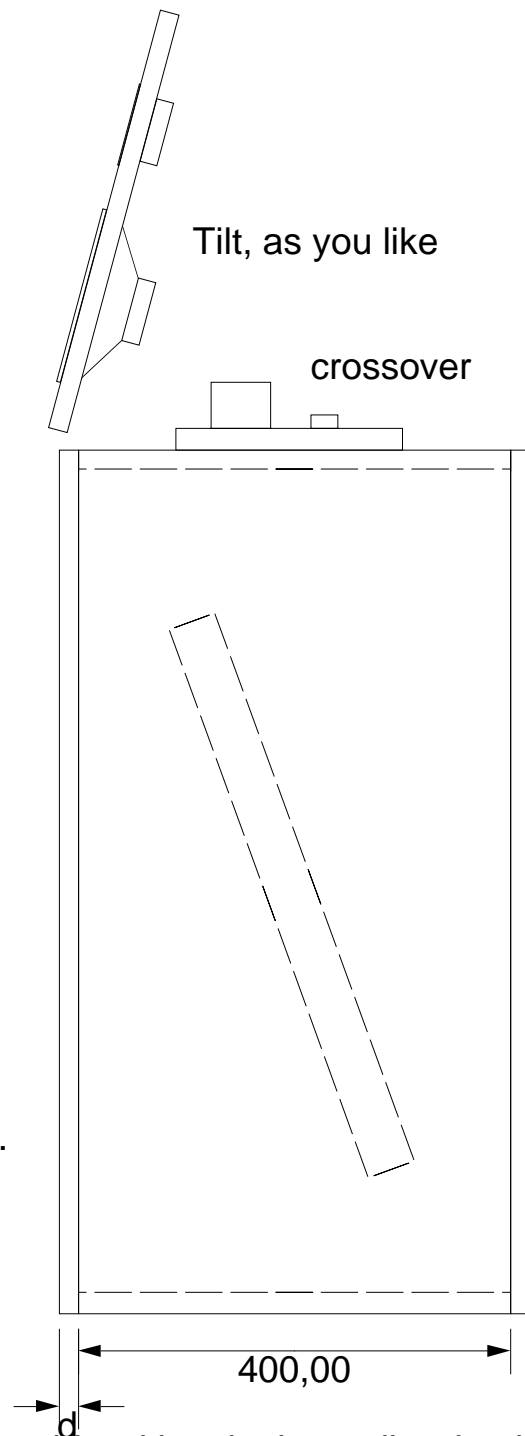
You can also make them 32" x 16".

Thickness I use is 18mm = 0.71" No matter what your standard wood panel thickness 'd' is (i.e. 0.8" or 1") all that changes is the dimension of the top and bottom panels (16" x 16-2d"). The front and side panels all stay 32x16" resp. 80x40 cm.

**Front View:**



**Side View:**



I have lacquered boxes and baffles inside outside with colophony dissolved in turpentine. The side- rear and front-panels have wood-slabs glued in place as reinforcement. Fluffy blanket is tacked to the inside of each box.  
 I use small wooden feet (3 per box). Reflex port can also be in rear panel.