

BYOB - Bring-Your-Own-Battery - SERIES

CONGRATULATIONS

You've just become the proud owner of the world's first zero-oversampling 192kHz audio analog to digital converter: the ALTMANN CREATION ADC.

This product is built for leading recording- and mastering-studios, as well as serious sound researchers, in order to supply a sound quality formerly not achievable with digital recordings. Where almost all of today's in-use audio A/D converters rely on one- or low-bit resolution, mathematical interpretation and time-averaging, the Altmann Creation ADC is a 16-bit precise, time-discrete and pure measurement-machine. There is no interpretation of whatsoever kind involved, just raw precision and high-speed measurement of the analog input. This working principle boldly defies today's established theories of digital audio, but hey ... if it sounds so much better, let's just focus on writing some audio history.

The Altmann Creation ADC incorporates an analog limiting function. Input to the ADC is limited within 1mV before clipping occurs. As this ADC's operation is truly time-discrete, it does not take into account the history of preceding and following samples. Therefore the detrimental effects of digital clipping are reduced to the much gentler level of a clipping analog preamplifier. You will listen to... and like it.

The sonic supremacy of this ADC is bold, regardless of the chosen sample-rate.

VIBRATIONAL OPTIMIZATION

The ALTMANN CREATION ADC is vibrationally optimized. Unlike other recording-components that come in all kinds of bad sounding enclosure, your Altmann Creation ADC is tightly fastened on a solid spruce board, which is treated with a unique formulation of natural wood resins.

The idea is simple: „As we cannot prevent subtle vibrations from entering our recording-system, let's just give them the very best sound-character possible.“

BATTERY POWER & CHARGING

The ALTMANN CREATION ADC relies on battery-power as it is the only source of clean power. It thus completely avoids many disturbing problems that normally arise with mains powered recording equipment.

Your ALTMANN CREATION ADC is designed to be powered by a 12V car battery, which you supply (Bring-Your-Own-Battery). We did all our tests with a „Optima Red-Top“ lead-acid battery, which is also non-spillable. Technically, you can also use a gel-battery, it may, however, sound different.

A car battery is designed to be charged with a car battery charger. You can get that part locally & low cost from almost any car supply shop. **Always disconnect the CREATION ADC before connecting the charger.**

The blue LED on your CREATION ADC indicates battery charge. It will light bright with full charge, and will go off, if the battery charge drops below 10 Volts. For best sound quality, please load your battery, as soon as the blue LED goes dim.

BURNING-IN, WARMING-UP & AGEING

Every ALTMANN CREATION ADC is manufactured on a custom basis after the reception of your order. As it comes fresh, please allow a couple of weeks for burn-in and settlement of the lacquer and wood.

As wood is a living material, it will naturally age ...in a very positive sense. As with any musical instrument, it must be played to develop its sound. The same holds true for your CREATION ADC. The more you record with it, the better it gets.

The ALTMANN CREATION ADC has an integrated warm-up mechanism. Typical warm-up time is 30 minutes.

GUARANTEE & SAFETY

Every ALTMANN CREATION ADC is covered by a 5 years guarantee when treated according to the operational instructions: If it fails, I will repair it for free, no other claims possible.

A car battery is a harmless and safe device, as long as you observe the safety precautions printed on the operational instructions. However, if you do any nonsense with it, like shorting the two output poles or your battery with a screwdriver or any other piece of metal or wire, the experience may become very hot and/or explosive and/or acidic. Please treat your battery with the proper respect and keep it out of the reach of children and pets.

PERFORMANCE STANDARD

This is the leading edge of thought, sound, joy and well-being.

The performance standard of your ALTMANN CREATION ADC is A Performance Standard. Happy listening...



ALTMANN MICRO MACHINES

GLOBAL WARRANTY AND PROPRIETARY RIGHTS STATEMENT

Limited Warranty:

ALTMANN MICRO MACHINES („AMM“) warrants to you as an end-user purchaser AMM Hardware Products against defects in material and workmanship for a period of FIVE (5) YEARS from the date of original manufacturing, as indicated on the guarantee certificate.

If you discover a defect, AMM will, at its option, repair, replace, or refund the purchase price of this product at no charge to you, provided you return it during the warranty period, with transportation charges prepaid, to the authorized AMM dealer from whom you purchased it, or directly to AMM Germany.

To each product returned for warranty service, please attach your name, address, telephone number, error description, and the original guarantee certificate bearing the appropriate AMM serial numbers as proof of original retail purchase.

AMM does not warrant any products that are not AMM products. This warranty does not apply if the product has been damaged by accident, abuse, misuse, or misapplication; if the product has been modified without the permission of AMM; if any AMM serial number has been removed or defaced, or if the original guarantee certificate is lost or not available.

THE WARRANTY AND REMEDIES SET FORTH ABOVE ARE EXCLUSIVE AND IN LIEU OF ALL OTHERS, WHETHER ORAL OR WRITTEN, EXPRESS OR IMPLIED. AMM SPECIFICALLY DISCLAIMS ANY AND ALL IMPLIED WARRANTIES, INCLUDING, WITHOUT LIMITATION, WARRANTIES OF MERCHANTABILITY AND FITNESS FOR A PARTICULAR PURPOSE. No AMM dealer, agent, or employee is authorized to make any modification, extension, or addition to this warranty.

AMM IS NOT RESPONSIBLE FOR SPECIAL, INCIDENTAL, OR CONSEQUENTIAL DAMAGES RESULTING FROM ANY BREACH OF WARRANTY, OR UNDER ANY OTHER LEGAL THEORY, INCLUDING BUT NOT LIMITED TO LOST PROFITS, DOWNTIME, GOODWILL, DAMAGE TO OR REPLACEMENT OF EQUIPMENT AND PROPERTY, AND ANY COSTS OF RECOVERING, REPROGRAMMING, OR REPRODUCING ANY PROGRAM OR DATA STORED IN OR USED WITH AMM PRODUCTS.

AMM'S PRODUCTS ARE NOT DESIGNED, INTENDED OR AUTHORIZED FOR USE AS COMPONENTS IN APPLICATIONS INTENDED TO SUPPORT OR SUSTAIN LIFE, OR FOR ANY OTHER APPLICATION IN WHICH THE FAILURE OF THE PRODUCT COULD CREATE A SITUATION WHERE PERSONAL INJURY OR DEATH MAY OCCUR. SHOULD CUSTOMER PURCHASE OR USE THE PRODUCTS FOR ANY SUCH UNINTENDED OR UNAUTHORIZED APPLICATION, CUSTOMER SHALL INDEMNIFY AND HOLD AMM AND THEIR RESPECTIVE OFFICERS, EMPLOYEES AND DISTRIBUTORS HARMLESS AGAINST ALL CLAIMS, COSTS DAMAGES, AND EXPENSES, AND REASONABLE ATTORNEY FEES ARISING OUT OF, DIRECTLY OR INDIRECTLY, ANY CLAIM OF PERSONAL INJURY OR DEATH ASSOCIATED WITH SUCH UNINTENDED OR UNAUTHORIZED USE, EVEN IF SUCH CLAIM ALLEGES THAT AMM WAS NEGLIGENT REGARDING THE DESIGN OR MANUFACTURE OF THE PART.

Proprietary Rights Statement

All AMM Software Products (whether embedded in ROM's or other hardware or contained on diskettes or other media) including all related manuals and documentations (collectively „AMM Software“) are proprietary to AMM, copyrighted with all rights reserved, and licenced to you. All AMM Software is delivered subject to the terms of the related license agreement.

With regard to any AMM Software contained in purchased hardware products, the AMM Software may only be used with the related hardware products. No AMM Software may be (i) seperated from any hardware products as shipped by AMM, or (ii) distributed, copied, translated, disassembled, decompiled, reverse engineered, merged or combined with other software, adapted, varied or modified.

All AMM manuals and documentation of any kind are proprietary to AMM and are copyrighted with all rights reserved.

This Proprietary Rights Statement shall be interpreted in conjunction with any applicable AMM Software License Agreement, but in the event of any conflict, the latter terms and conditions shall prevail.

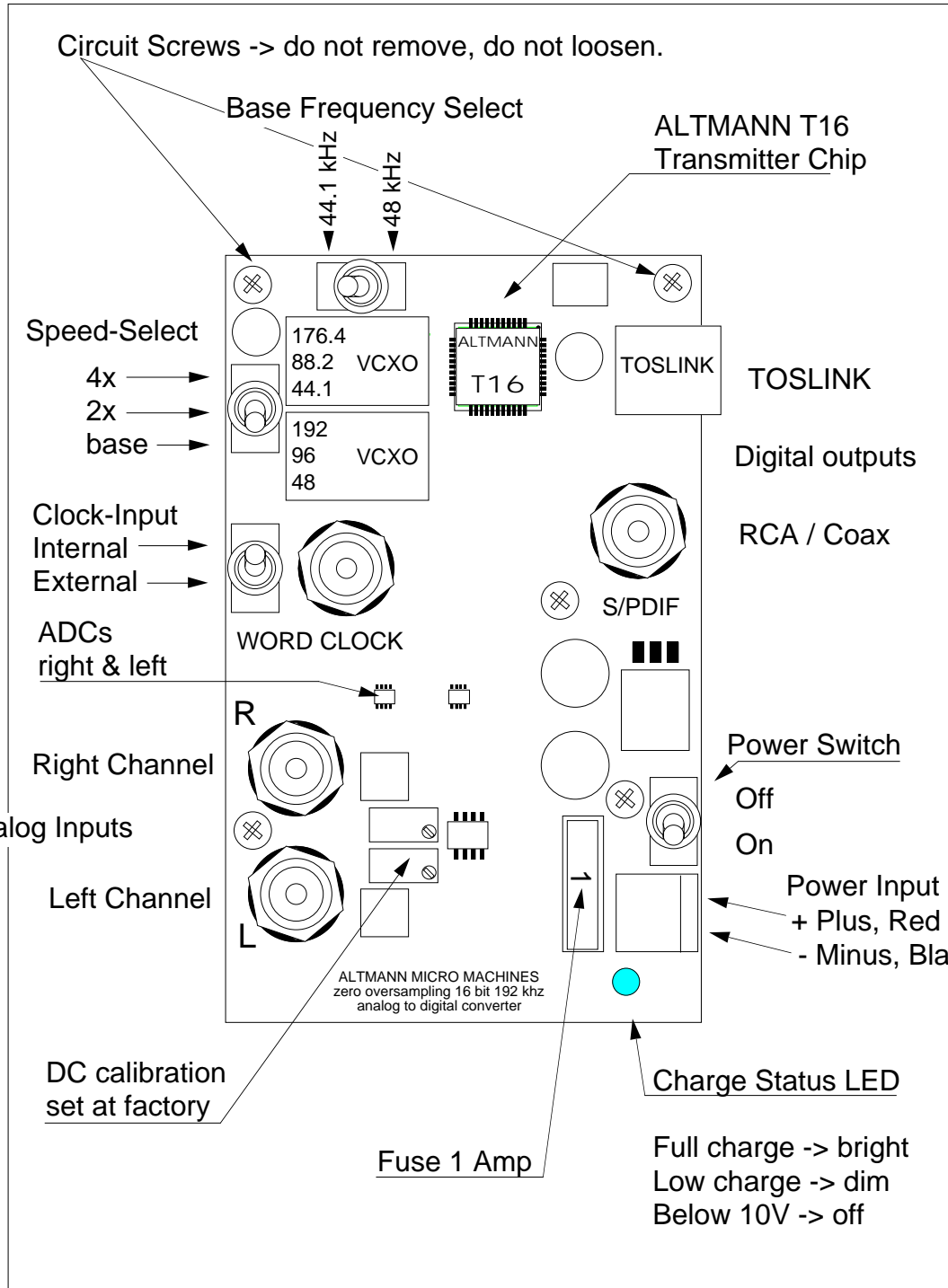
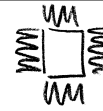
ALTMANN BYOB - BRING YOUR OWN BATTERY - CREATION ADC

OPERATIONAL & SAFETY INSTRUCTIONS

Checklist:

- If you barely know the difference between a plus pole and a minus pole, let someone help you to do the job.
- A car battery is a very powerful device. Please never short circuit the plus and minus poles of your battery, as it may become very hot, or even explode. Keep any metal objects that are not needed for operation away from the battery. Keep the battery out of the reach of children and pets.
- Please use only a 12V car battery. Do **not** use a 24 Volt truck battery.
- Please use only a car battery charger that is designed to charge 12 V car batteries.
- Before connecting a battery charger to the battery, disconnect the power cable from the CREATION ADC. Reconnect only after disconnecting the battery charger from the battery.
- The blue LED of your CREATION ADC indicates the battery charge. It lights bright when the battery is fully charged (12V). If it lights dim, the battery charge is about 10..11 Volt. The blue LED goes off, when the battery charge is below 10 Volt. For best sound quality, charge your battery, as soon as the blue LED goes dim.
- Every CREATION ADC comes with a battery cable, that is tested together with your CREATION ADC before shipping, and **is in the right polarity**. The battery cable has a red (+, plus) wire and a black (-, minus, ground) wire. The red wire is connected to the plus battery pole clamp, which has a large pole diameter. The black wire is connected to the minus battery pole clamp, which has a small pole diameter. This way, when connecting the clamps to a standard car battery, you cannot change the polarity since the large pole clamp only fits the large diameter plus-pole of the battery, and vice versa. The other end of the supplied battery cable comes screwed to the byob connector **in the right polarity**, and can only be plugged into the CREATION ADC with the right polarity. If for any reason polarity is reversed, a input diode will prevent current flow, and protect circuitry. The blue LED will be off.
- Any Altmann BYOB product is sensible to humidity and fluids. If it comes in contact with any fluid (i.e. water, beer, wine, oil, etc.) it may fail. This is not covered by the guarantee.
- Any Altmann BYOB product is sensible to overvoltage. The maximum voltage is 18 Volt. This is especially important, when you charge the battery. Always, before you connect a charger to the battery, disconnect the CREATION ADC. Reconnect the CREATION ADC only after having disconnected the charger.
- Do not touch any part of the circuit board with any cable or metal object. When connecting analog input and digital output cables, do not touch any part of the CREATION ADC except the RCA input or output plugs. It is good practice, to switch the CREATION ADC OFF, whenever you want to connect or disconnect something.
- If you remove or loosen any of the screws that fix the circuit to the spruce board, the guarantee is void.
- The ALTMANN CREATION ADC features RCA and Toslink digital outputs, both carry the same signal. Prefer the optical output when connecting to a noisy computer card/interface. RCA digital output voltage is 5V. The ALTMANN CREATION ADC features single-ended analog inputs. The full-scale input is 5V peak to peak. Analog input to the ADC is limited app. 1mV before digital full scale. Two separate precision pots allow for setting of DC-offset, however you just don't touch them, as this adjustment is already performed during manufacture. Always use the CREATION ADC's internal clocking when possible and disconnect external clock. When synching is necessary, switch to external clock. Sample-rate setting must match external clock. The pulling range of the CREATION ADCs high precision VCXO is +- 150 ppm.
- Supported sample rates are 44.1kHz (CD-only model), respectively 44.1 / 48 / 88.2 / 96 / 176.4 / 192 kHz for CD/DAT/DVD/DVD-A model. Sample rates must be matched within +- 150 ppm.

Connection Sequence: Toggle power switch in the OFF-position. Connect digital input. Connect analog outputs. Connect the battery pole clamps of the power cable to the battery. Connect the other end of the power cable to the ATTRACTION DACs power input socket. Turn volume fully down. Toggle power switch in the ON-position -> blue LED lights up. Start source (i.e. CD, DAT, DVD). Turn volume up a little. Enjoy...



Before charging battery, always disconnect CREATION ADC from battery.